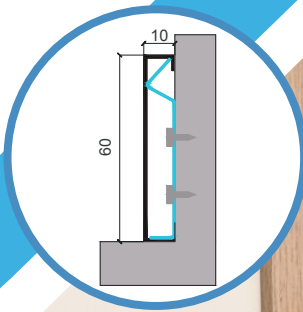


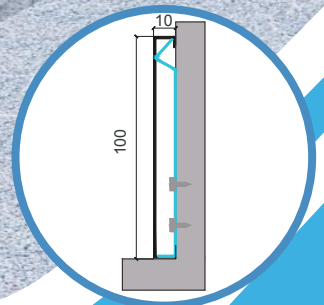
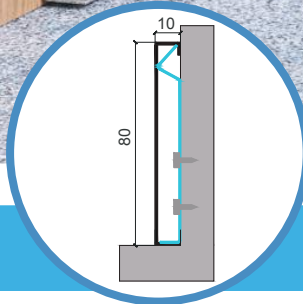
NEXUS

Skirting

NSSK 10



NEXUS
CODE
NSSK 10



Features

NEXUS NSSK 10 profile is a Stainless Steel Skirting with SS Clips (40mm length, 4 clips per length) available in both SS304 and SS316L Grades in Polished and Brushed finishes.

SS 304 Polish Finish

Type	H [mm]	W [mm]	L [mtr]	Price AED/PC
NSSK 6010	60	10	2.7	170.00
NSSK 8010	80	10	2.7	210.00
NSSK 10010	100	10	2.7	250.00

SS 316 Polish Finish

Type	H [mm]	W [mm]	L [mtr]	Price AED/PC
NSSKL 6010	60	10	2.7	210.00
NSSKL 8010	80	10	2.7	250.00
NSSK10010	100	10	2.7	306.00

SS 304 Brush Finish

Type	H [mm]	W [mm]	L [mtr]	Price AED/PC
NSSKB 6010	60	10	2.7	174.00
NSSKB 8010	80	10	2.7	213.00
NSSKB 10010	100	10	2.7	253.00

SS 316 Brush Finish

Type	H [mm]	W [mm]	L [mtr]	Price AED/PC
NSSKLB 6010	60	10	2.7	214.00
NSSKLB 8010	80	10	2.7	253.00
NSSKLB 10010	100	10	2.7	309.00